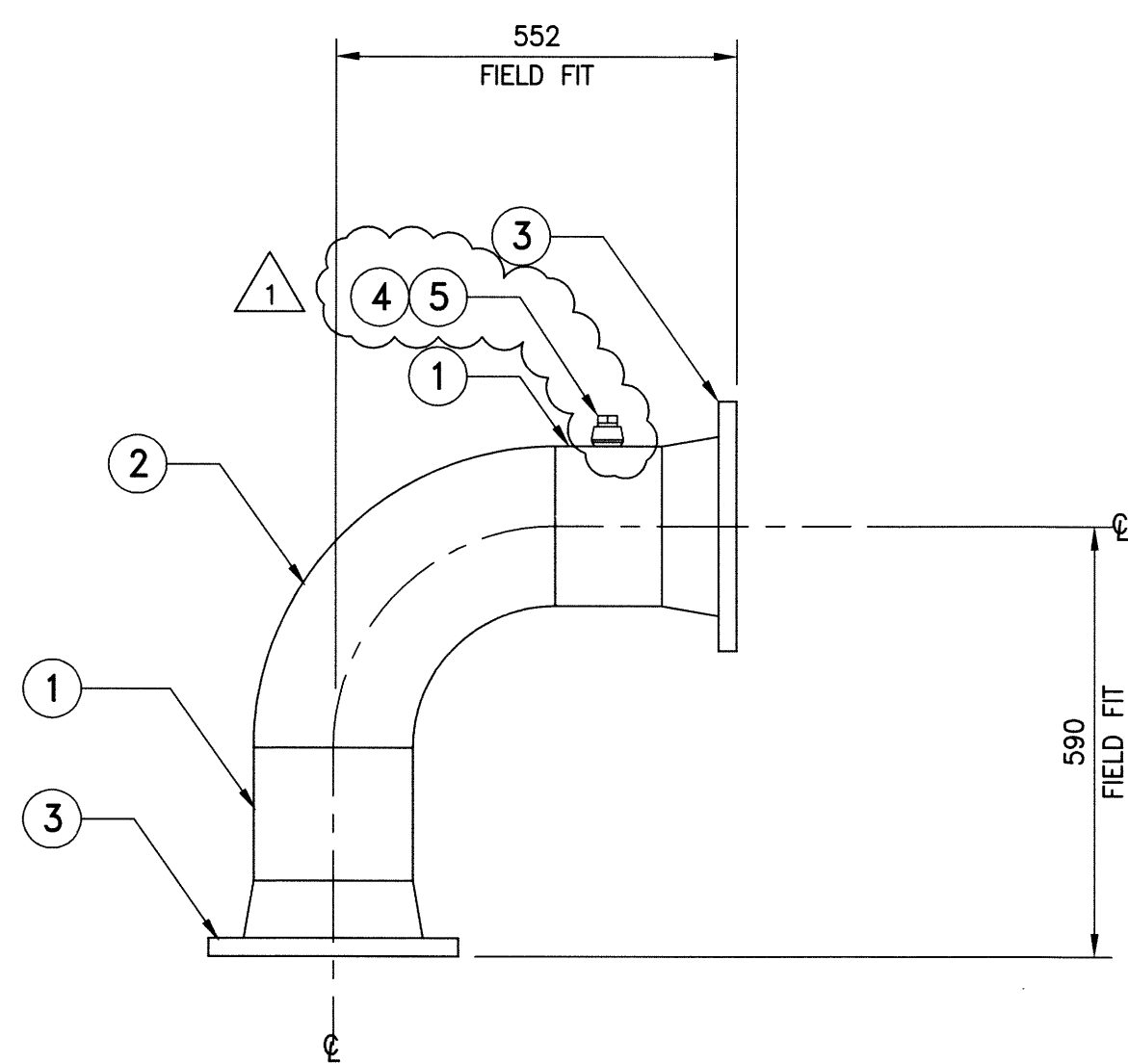


GENERAL NOTES:

1. REFER TO GENERAL NOTES ON DWG. M02.

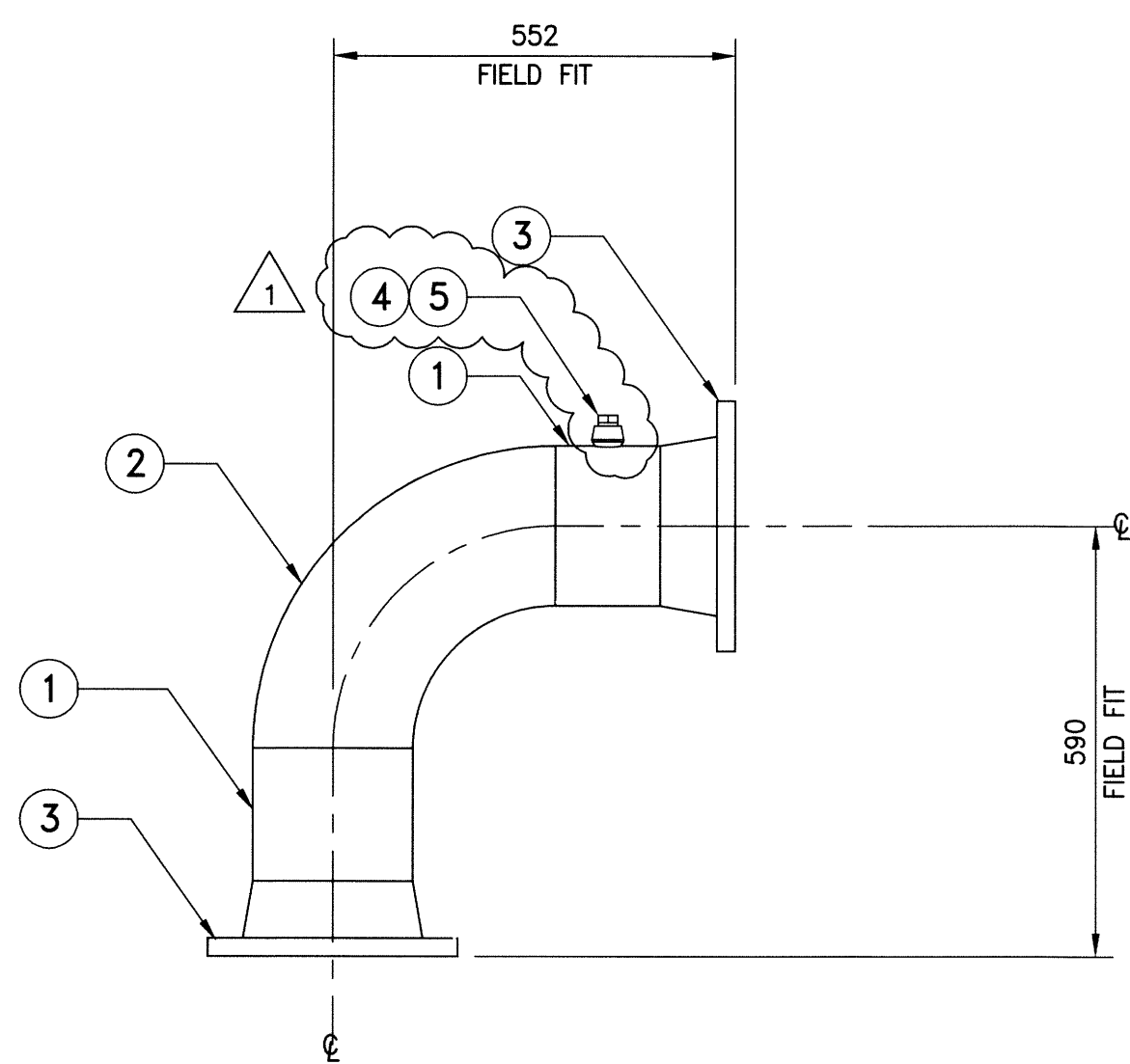


ELEVATION

PIPE SPOOL **1.4**
SCALE: 1:10

BILL OF MATERIALS - 1.4

PART NO.	QTY	SIZE	TAG	DESCRIPTION
1	2	200 (8")		PIPE
2	1	200 (8")		90° ELBOW
3	2	200 (8")		WELD NECK FLANGE, FF
4	1	20 (¾")		THREDOLET
5	1	20 (¾")		PLUG, THRD

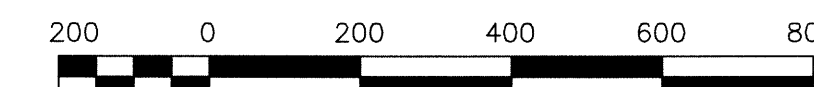


ELEVATION

PIPE SPOOL **2.4**
SCALE: 1:10

BILL OF MATERIALS - 2.4

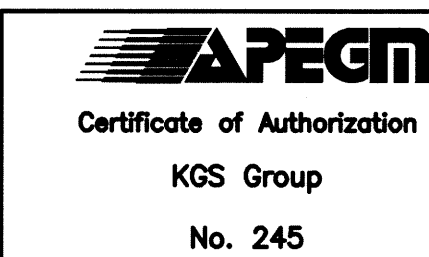
PART NO.	QTY	SIZE	TAG	DESCRIPTION
1	2	200 (8")		PIPE
2	1	200 (8")		90° ELBOW
3	2	200 (8")		WELD NECK FLANGE, FF
4	1	20 (¾")		THREDOLET
5	1	20 (¾")		PLUG, THRD



SCALE: 1:10 METRIC A1
1:20 METRIC A3

METRIC

WHOLE NUMBERS INDICATE MILLIMETRES
DECIMALIZED NUMBERS INDICATE METRES



FIELD BOOK #	
POSTED TO L.BIS	
1	RE-ISSUED FOR CONSTRUCTION 15/09/25 JS
0	ISSUED FOR CONSTRUCTION 15/09/17 JS
NO.	REVISIONS DATE BY

DESIGNED BY JS		CHECKED BY RED	
DRAWN BY RP		APPROVED BY JS	
HOR. SCALE AS NOTED		RELEASED FOR CONSTRUCTION	
VERTICAL AS NOTED		DATE 2015 08 17	
DATE 2015 08 17		DATE 2015 09 17	

ENGINEER'S SEAL

M12

THE CITY OF WINNIPEG
WATER AND WASTE DEPARTMENT

WEWPCC RAS PIPE REPLACEMENT

MECHANICAL
RAS PIPING - PIPE SPOOL DETAILS

SHEET 4 OF 5
CITY DRAWING NUMBER
1-0103S-M0036-004-01